



Point of Use Residential Electric Water Heaters

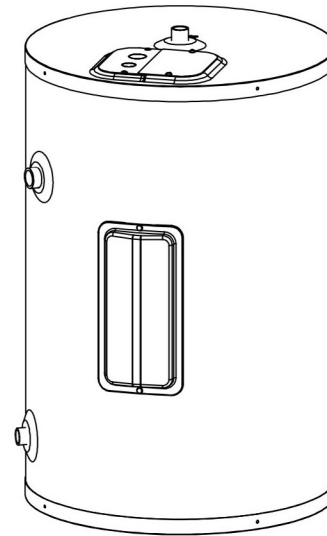
Job Name:	Location:
Engineer:	Wholesaler:
Mechanical Contractor:	Notes:
Model Number:	
Electrical Specifications:	

Electric Water Heater Models

- Available in 10, 15, and 20 gallon capacities
- Available Voltages: 120V, 208V, 240V, 277V, and 480V offer installation flexibility
- Single Phase Operation
- Example Model Number: WER020A1X020N10
- Standard configuration is 120V, Single Phase, 2000W Element

Construction

- 316L stainless steel tank tolerates high temperatures and offers superior corrosion resistance
- Lightweight construction
- Super-insulated for minimal heat loss and energy efficiency
- Top hot water outlet with integrated heat trap draws the hottest water from the tank
- Bottom cold water inlet directs cold water to the heating element, minimizing the mixing of cold and heated water and ensuring long draws of hot water
- 3/4" combination inlet and drain valve and outlet nipple constructed of durable brass
- Electric junction box located on top of water heater for easy wiring and installation



Long Life Electric Elements / Thermostat High Limit Control

- Highest quality elements in the industry increase corrosion resistance, reducing the chance of element burnout and providing longer service life than conventional elements
- Immersed elements allow maximum recovery efficiency and direct, 98% efficient heat transfer
- Adjustable surface mounted thermostat provides years of reliable, trouble-free water temperature control
- Maximum temperature capability of 150°F
- Fully automatic high limit controls provide overheat protection - manual reset cutoff

Additional Features

- Limited Warranty - Ten (10) years coverage against inner tank leakage from the date of installation - Six (6) years coverage on component parts
- Included ASME rated Temperature and Pressure Relief Valve
- Included Combination Brass Inlet and Drain Valve

Certifications and Ratings Efficiency

- ETL Design Certified to meet the UL 174 Household Electric Storage Tank Water Heaters Standard
- North Carolina code compliant models available
- Lead Free compliant per the Safe Drinking Water Act, Section 1417
- Tested below the maximum allowable standby loss levels of current ASHRAE standards in accordance to ANSI test procedures

NOTE: The manufacturer reserves the right to make product changes or updates without notice and will not be held liable for typographical errors in literature.



Recovery Table for Electric Water Heaters													
Input		Units	Temperature Rises										
W	BTU	Deg. F	40	50	60	70	80	90	100	110	120	130	140
		Deg. C	22.2	27.8	33.3	38.9	44.4	50	55.6	61.1	66.7	72.2	77.8
1500	5118	GPH	15	12	10	9	8	7	6	6	5	5	4
		LPH	59	47	39	34	29	26	23	21	20	18	17
2000	6824	GPH	21	17	14	12	10	9	8	8	7	6	6
		LPH	78	63	52	45	39	35	31	28	26	24	22
2500	8530	GPH	26	21	17	15	13	11	10	9	9	8	7
		LPH	98	78	65	56	49	43	39	36	33	30	28
3000	10236	GPH	31	25	21	18	15	14	12	11	10	10	9
		LPH	117	94	78	67	59	52	47	43	39	36	34
3500	11942	GPH	36	29	24	21	18	16	14	13	12	11	10
		LPH	137	109	91	78	68	61	55	50	46	42	39
4000	13649	GPH	41	33	28	24	21	18	17	15	14	13	12
		LPH	156	125	104	89	78	70	63	57	52	48	45
4500	15355	GPH	46	37	31	27	23	21	19	17	15	14	13
		LPH	176	141	117	101	88	78	70	64	59	54	50
5000	17061	GPH	52	41	34	30	26	23	21	19	17	16	15
		LPH	196	156	130	112	98	87	78	71	65	60	56

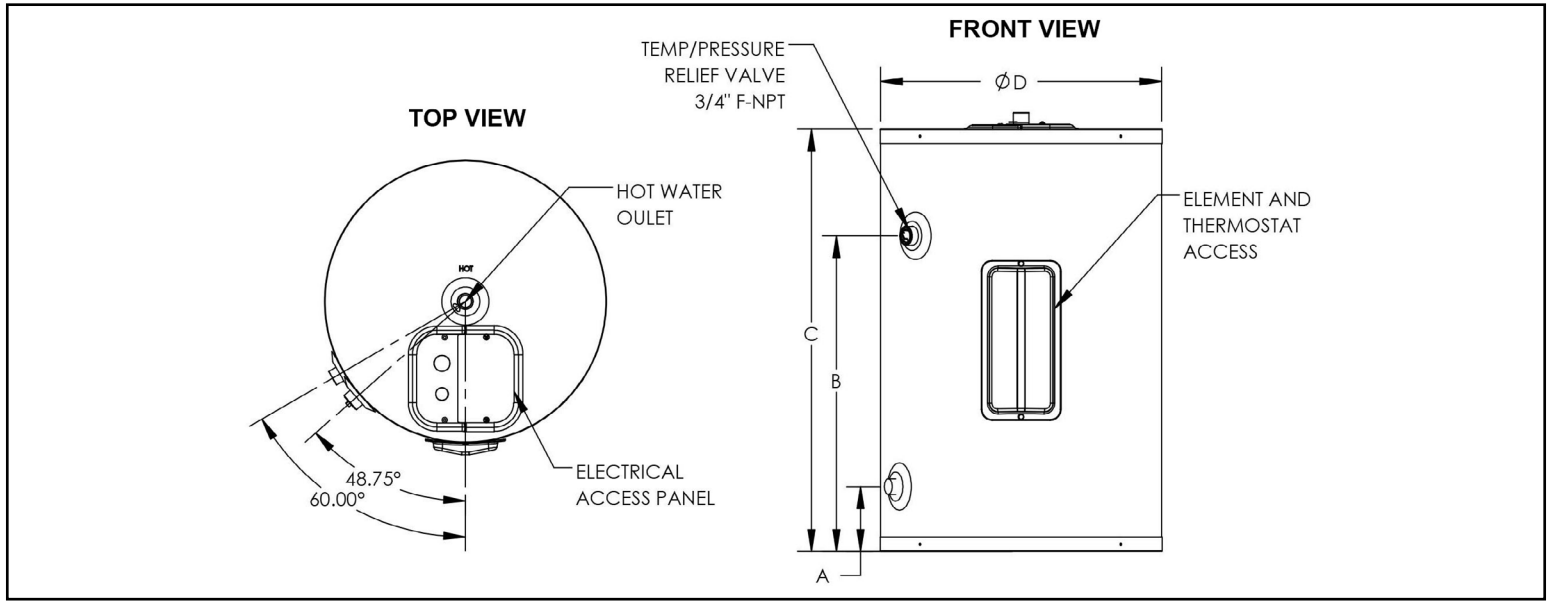


Figure 1 - Dimensional Drawing

Specifications and Dimensions									Water Temperature Ratings		
Models	Storage Capacity	A	B	C	D	E	Hot / Cold Inlets	Shipping Weight (Lbs. Est.)	Min. Delivered Temp.	Max. Delivered Temp.	High Temp. Limit
010	10	4 1/2"	10 1/4"	17 1/2"	19 1/2"	8"	3/4" NPT	42	90°F (32 C)	150°F (65.5 C)	170°F (76.6 C)
015	15		16 1/4"	23 1/2"				46			
020	20		21 3/4"	29"				50			

Table 1 - Specifications and Dimensions - See Table 2 for a List of Available Elements

Gallons	# Elements	Wattage	Voltage (And Part Number)					
			120	208	240	277	480	
10, 15, 20	1	1,500	YES	YES	YES	YES	NO	
		2,000	YES	YES	YES	YES		
		2,500	YES	YES	YES	YES		
		3,000	YES	YES	YES	YES		
		3,500	NO	YES	YES	YES		YES
		4,000		YES	YES	YES		YES
		4,500		YES	YES	YES		YES
		5,000		YES	YES	YES		YES

Table 2 - Available Inputs

Input Wattage	Point of Use Single Element Single Phase Operation				
	Amperages by Voltage and Input				
	120	208	240	277	480
1,500	13	8	7	6	-
2,000	17	10	9	8	
2,500	21	13	11	10	
3,000	25	14.4	12.5	12	
3,500	-	16.3	14.6	12.1	
4,000		19.9	16.7	14.4	
4,500		21.6	18.8	16.8	
5,000		-	20.8	18	
		-	-	10.4	

Table 3 - For Reference Use Only

Typical Specifications

The water heater shall be an Westinghouse model # _____ with a _____ gallon storage capacity, an input of _____ kw (BTU), a recovery rate of _____ GPH at 100°F (56°C) temperature rise and be equipped for _____ volts, single phase operation.

The tank shall be constructed of 316L stainless steel, and have a working pressure of 150 PSI (1,034 kPa) and test pressure of 300 PSI. The water heater shall be design certified by ETL to meet the UL 174 Household Electric Storage Tank Water Heaters Standard, and meet or exceed the standby loss requirements of ASHRAE.

The water heater shall be equipped with an adjustable surface mounted thermostat with manual reset high limit safety control, and an electric junction box located on the top of heater. All water heaters will be shipped with an ASME Rated temperature and pressure relief valve.

Water heaters shall be covered by a ten (10) year limited warranty against inner tank leakage. See product warranty for details.

The surfaces of these products contacted by consumable water contain less than 0.25% lead by weight, as required by the Safe Drinking Water Act, Section 1417.

Maximum unit dimensions shall be length _____ inches, width _____ inches and height _____ inches. Maximum unit weight shall be _____ pounds.