

### Premier High Efficiency Boiler

**JOB NAME:**

**LOCATION:**

**ARCH. / ENGR.:**

**WHOLESALER:**

**MECH. CONTRACTOR:**

**MODEL NUMBER:**

**TYPE OF GAS:**

**BTU/HR INPUT LOW – HIGH FIRE:**

**NOTES:**

Heat Exchanger

- All Stainless Steel 160 PSI ASME Stamped Construction
- National Board listed
- Gasketless Heat Exchanger Design
- 30 PSI Relief Valve
- Front service access to combustion chamber and burner
- Inlet and outlet temperature sensor

Combustion System

- Modulating burner with 10 to 1 turndown
- Up to 96.4% AFUE
- Up to 96.5 Thermal Efficiency
- High Grade Inconel Burner Design
- Spark Ignition
- Models Available for Natural or LP Gas
- Dual Flame monitoring (Spark and Flame probe)
- Superior condensate collection system
- Vents in Plastic PVC - CPVC - Stainless Steel – ULC S636 flexible polypropylene vent liner (chimney lining only)
- Vents up to 200 combined equivalent feet

Integrated Control System

- Digital operating control with LCD display and indicators for System Pump - Boiler Pump – DHW Pump - System Fault – System operation
- Switch Mode Power Supply
- Password Protected
- Outdoor reset with Indirect Priority
- Multiple 120 volt pump outputs – Boiler Pump – System Pump – DHW Pump
- 24 Volt monitoring
- 0-10 VDC input for Building Management System
- Boiler Output regulation (Adjustment of boiler output down to 50 percent of rated capacity)
- Cascade up to eight (8) boilers

Additional Features

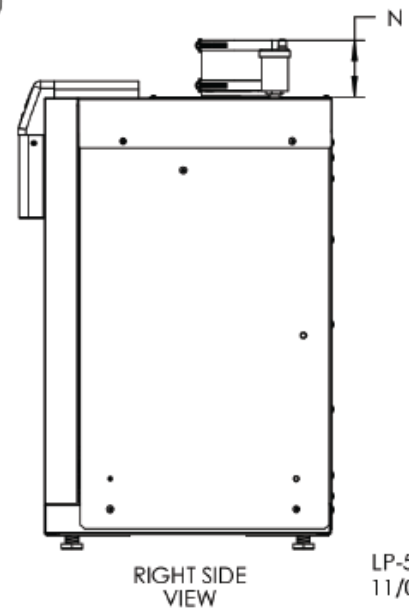
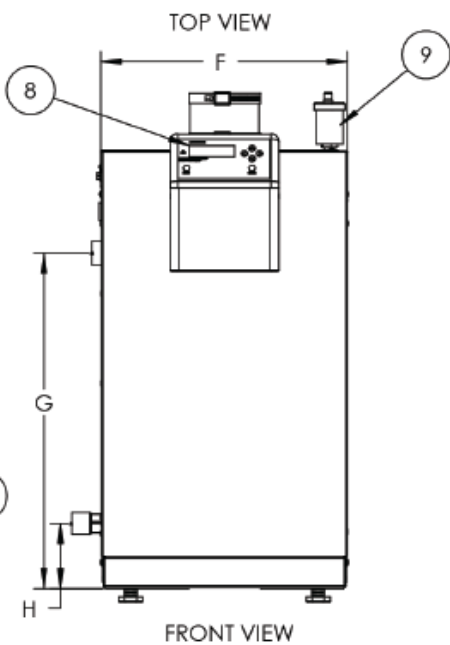
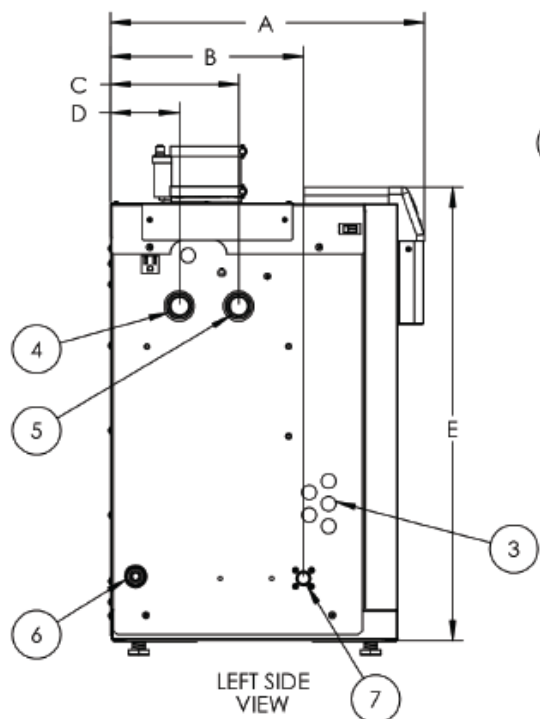
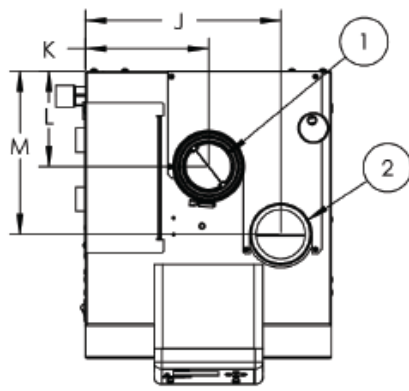
- Combination Outlet Fitting to simplify connections
- 12 Year Limited Warranty
- Manual reset High temperature limit
- Adjustable leveling legs
- Field wiring board / Cascade wiring CAT 5 / CAT 3
- Dry contact for alarm output
- Low NOx emissions – SCAQMD Certified

Optional

- System Sensor (Part # 7250P-324)
- Indirect Sensor (7250P-325)
- 3” Polypro Flex Vent Kit (8400P-001)
- 3” PVC Concentric Vent Kit (KGAVT0601CVT)
- 3” Stainless Steel Termination Vent Kit (V1000)
- 4” Stainless Steel Termination Vent Kit (V2000)
- 6” Stainless Steel Termination Vent Kit (V3000)
- Flow Switch (7450P-213 for 80 – 220 Models, 7450P-214 for 299 Models, 7450P-215 for 399 Models)
- Condensate Neutralizer (7450P-212)
- Low Water Cut-Off Kit (7450P-904)
- Alarm System (7350P-602) to monitor any failure
- PC Connection Cable w / Software (7450P-330)
- Wall Mount Kit (Part # 7450P-211)
- MODBUS / BACnet (7350P-636)

- EXHAUST VENT CONNECTION (1)
- COMBUSTION AIR INLET CONNECTION (2)
- ELECTRICAL CONNECTIONS (3)
- SYSTEM RETURN (4)

- (5) SYSTEM SUPPLY WITH INTEGRATED RELIEF VALVE
- (6) CONDENSATE CONNECTION
- (7) GAS LINE CONNECTION
- (8) DISPLAY/CONTROL PANEL
- (9) AIR RELEASE VENT



LP-550-N  
11/02/16

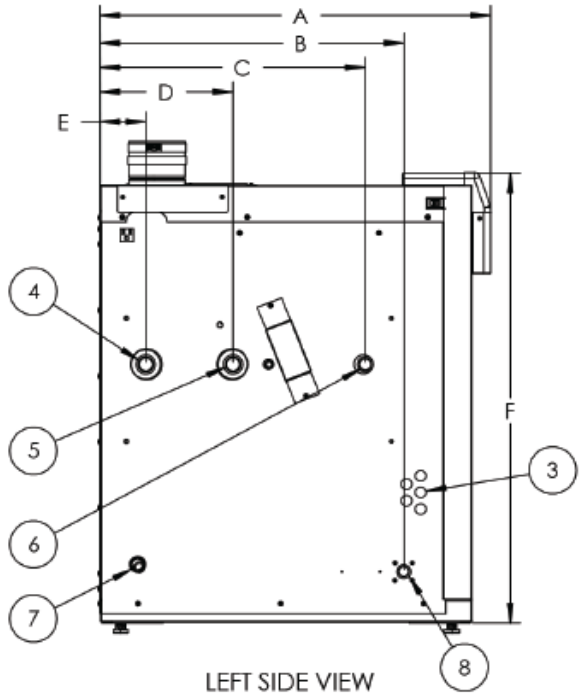
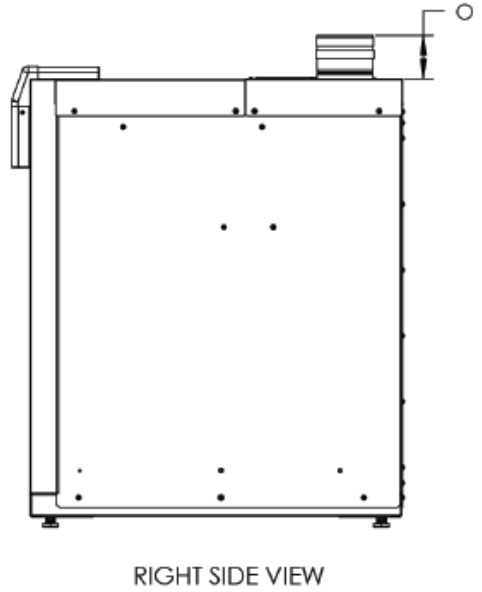
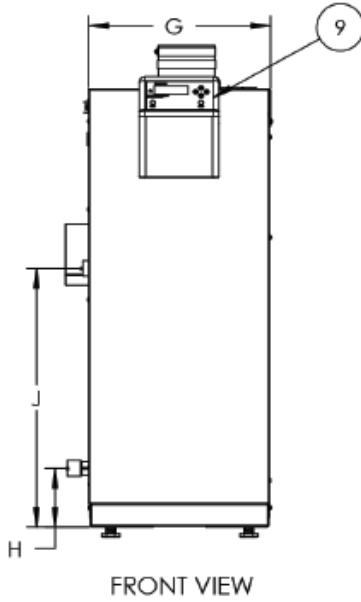
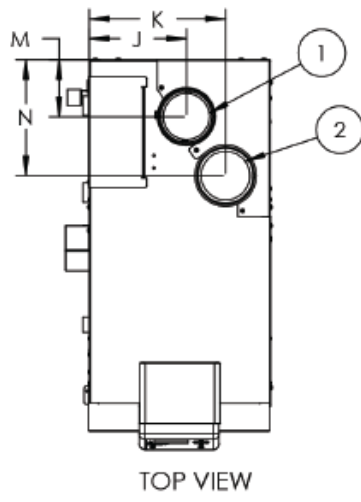
MODEL*	A	B	C	D	E	F	G	H	J	K	L	M	N	SHIPPING WEIGHT
80	18.50	11.50	7.75	4.25	27.00	14.50	20.00	4.00	11.75	7.38	5.75	9.75	4.00	108
110	18.50	11.50	7.75	4.25	27.00	14.50	20.00	4.00	11.75	7.38	5.75	9.75	4.00	113
150	19.50	12.50	10.25	2.50	27.00	14.50	20.00	3.75	11.75	7.38	4.25	8.25	4.00	126
220	26.50	19.50	15.50	6.00	24.25	14.50	20.00	4.50	11.75	7.38	4.25	8.25	4.00	164

MODEL	MAX MBH	MIN MBH	AFUE	HEATING CAPACITY MBH	SUPPLY/RETURN	EXHAUST/AIR INLET	GAS CONNECTION
80	80	8	96.4	74	1"	3"	3/4"
110	110	11	96.4	100			
150	150	15	95.4	138			
220	220	22	95.2	204			1"

\* "N" DENOTES NATURAL GAS "LP" DENOTES PROPANE  
ALL DIMENSIONS ARE APPROXIMATE AND ARE SUBJECT TO CHANGE

- EXHAUST VENT CONNECTION ①
- COMBUSTION AIR INLET CONNECTION ②
- ELECTRICAL CONNECTIONS ③
- SYSTEM RETURN ④

- ⑤ SYSTEM SUPPLY
- ⑥ RELIEF VALVE
- ⑦ CONDENSATE CONNECTION
- ⑧ GAS LINE CONNECTION
- ⑨ DISPLAY/CONTROL PANEL



MODEL*	A	B	C	D	E	F	G	H	J	K	L	M	N	O	SHIPPING WEIGHT
299	24.75	17.50	14.50	7.38	3.25	36.50	14.50	4.75	21.00	11.00	7.88	4.63	9.50	3.50	211
301	24.75	17.50	14.50	7.38	3.25	36.50	14.50	4.75	21.00	11.00	7.88	4.63	9.50	3.50	211
399	31.75	24.75	21.50	10.75	3.75	36.00	14.50	4.75	21.00	11.00	7.88	4.63	9.50	3.50	256

MODEL *	MAX MBH	MIN MBH	AFUE	HEATING CAPACITY MBH	SUPPLY/RETURN	EXHAUST/AIR INLET	GAS CONNECTION
299	299	29	94.5	277	1-1/4"	4"	1"
301	301	30	96.1 **	289			
399	399	39	96.5 **	372	1-1/2"		

LP-550-N  
10/17/16

\* "N" DENOTES NATURAL GAS "LP" DENOTES PROPANE

\*\* THERMAL EFFICIENCY (NOT AFUE)

ALL DIMENSIONS ARE APPROXIMATE AND ARE SUBJECT TO CHANGE